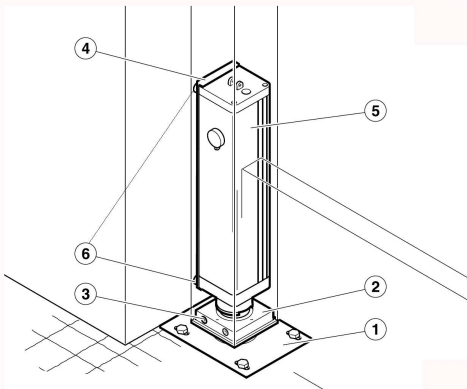


- 7- Top Pivot Bush
- 8- Cap Plate
- 9- M10 Stainless Steel Nut
- 10- Wall Fixing Plate (Stainless Steel)
- 11- Adjustable Top Plate (Stainless Steel)
- 12- Stainless Steel Cable Gland (Protected by Coverplate)
- 13- M10 Stainless Steel Bolt
- 14- M10 Stainless Steel Washer

Top Hinge Assembly



Motor Assembly (Inside 100 x 100 mm Box Section)



- 1- Stainless Steel Ground Fixing Plate
- 2- Bottom Cap Plate
- 3- 4 x M6 Cap Plate Fixings
- 4- Internal Fixing Plate
- 5- Magic 'In-Post' Operator
- 6- 4 x M12 Motor Fixings

EXAMPLE OF GATES WITH 'IN-POST OPERATOR